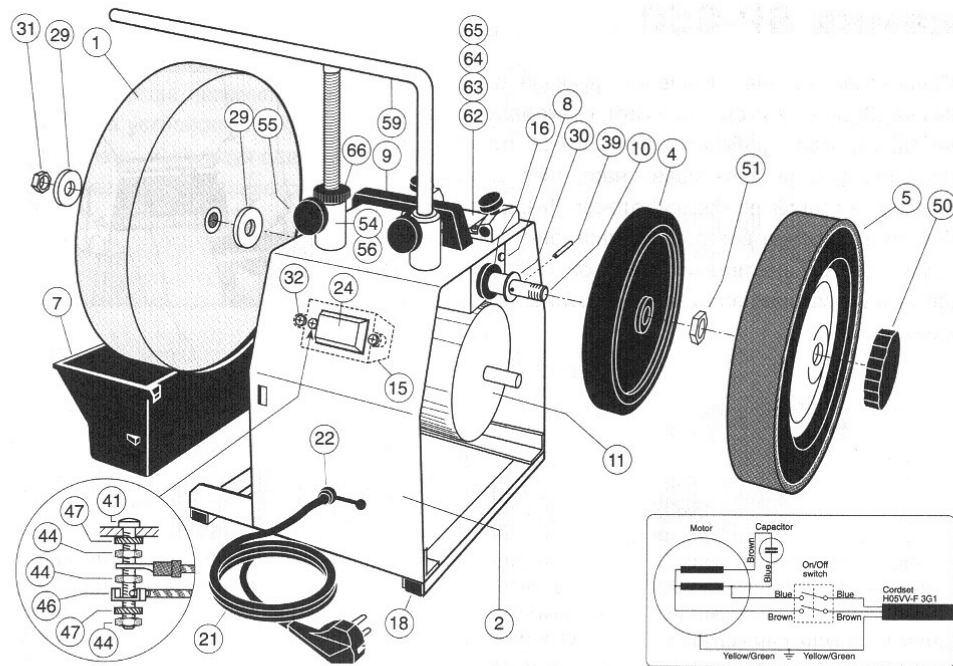


Spare parts list – Tormek T-7 and 2000

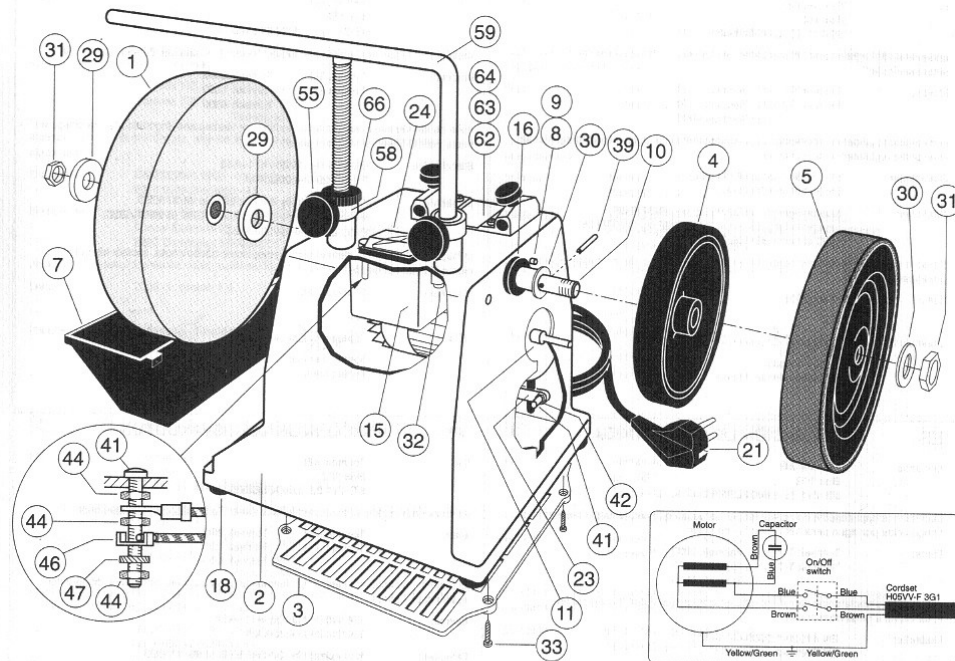


No.	Denomination	Qty	kg/each
1	Grindstone	1	4.900
2	Housing	1	3.400
4	Drive wheel with friction ring	1	0.260
5	Honing wheel	1	0.380
7	Water trough	1	0.200
8	Mounting shaft	1	0.080
9	Handle incl. nut and washer	1	0.062
10	Main shaft	1	0.340
11	Motor 200 W	1	3.200
15	Cover for switch	1	0.030
16	Nylon bearing	2	0.003
18	Rubber foot	4	0.005
20	* Machine label	1	0.002
21	Cord set	1	0.200
22	Cord set bushing	2	0.003
24	Switch	1	0.020
29	Washer for the stone	2	0.027
30	Washer for the drive wheel	1	0.006
31	Nut. M12 h=6	1	0.015

No.	Denomination	Qty	kg/each
32	Screw for cover	2	0.002
39	Locking pin	1	0.001
41	Screw	1	0.003
44	Nut (brass)	3	0.001
46	Folded washer	1	0.001
47	Locking washer	2	0.001
50	Locking knob for honing wheel	1	0.023
51	Nut. M12 h=4	1	0.012
54	Sleeve	2	0.140
55	Locking screw	3	0.010
56	Nut for sleeve	2	0.021
59	Universal Support	1	0.516
60	* Carton. Complete	1	1.000
61	* Distance spring for the motor	1	0.014
62	Horizontal Base	1	0.102
63	Screw	4	0.003
64	Locking screw	2	0.009
65	Washer	4	0.001
66	Adjusting nut	1	0.016

* = Not shown on drawing.

Spare parts list – Tormek T-3 and 1200



No.	Denomination	Qty	kg/each
1	Grindstone	1	2.600
2	Housing	1	0.500
3	Grating	1	0.070
4	Drive wheel with friction ring	1	0.045
5	Honing wheel	1	0.110
7	Water trough	1	0.085
8	Mounting shaft	1	0.035
9	Locking ring	2	0.002
10	Main shaft	1	0.310
11	Motor 120 W	1	2.400
18	Rubber foot	4	0.002
20	* Machine label	1	0.002
21	Cord set	1	0.200
23	Strain relief	1	0.001
24	Switch	1	0.020
29	Washer for the stone	2	0.027

No.	Denomination	Qty	kg/each
30	Washer for the drive wheel	2	0.006
31	Nut. M12 h=6	2	0.015
32	Screw for cover	2	0.002
33	Screw for grating	4	0.002
39	Locking pin	1	0.001
41	Screw	3	0.003
42	Nut for strain relief	2	0.001
44	Nut (brass)	3	0.001
46	Folded washer	1	0.001
47	Locking washer	1	0.001
55	Locking screw	2	0.010
58	Ring for Universal Support	2	0.015
59	Universal Support	1	0.516
60	* Carton. Complete	1	0.600
62	Horizontal Base	1	0.102
63	Screw	4	0.003
64	Locking screw	2	0.009
66	Adjusting nut	1	0.016

* = Not shown on drawing.