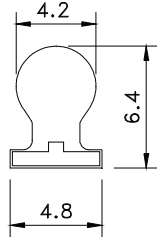
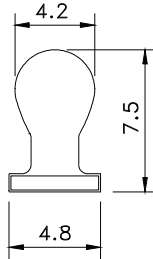


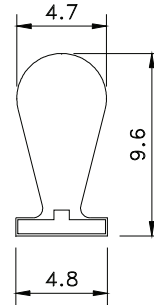
Q-LON 48510  
SEAL GAP: 1.1-2.4  
POCKET 'A'



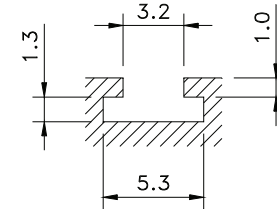
Q-LON 48650  
SEAL GAP: 1.8-3.4  
POCKET 'A'



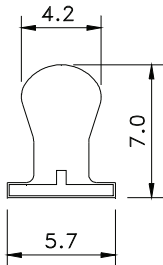
Q-LON 48750  
SEAL GAP: 2.7-4.6  
POCKET 'A'



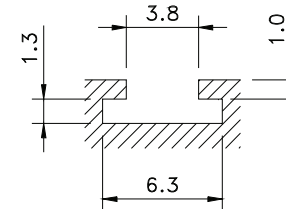
Q-LON 48950  
SEAL GAP: 4.0-6.4  
POCKET 'A'



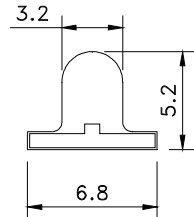
POCKET 'A'



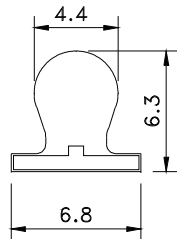
Q-LON 57700  
SEAL GAP: 2.3-4.0  
POCKET 'B'



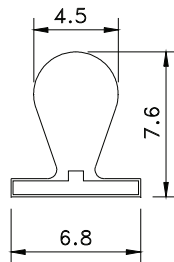
POCKET 'B'



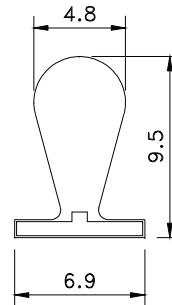
Q-LON 69510  
SEAL GAP: 1.1-2.4  
POCKET 'C'



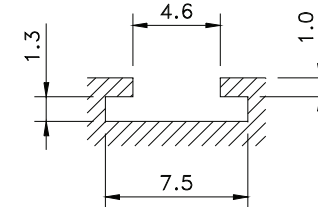
Q-LON 69650  
SEAL GAP: 1.8-3.4  
POCKET 'C'



Q-LON 69750  
SEAL GAP: 2.7-4.6  
POCKET 'C'

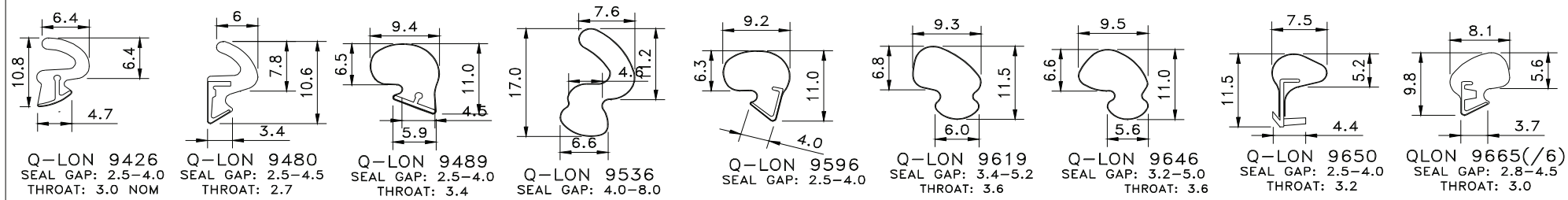
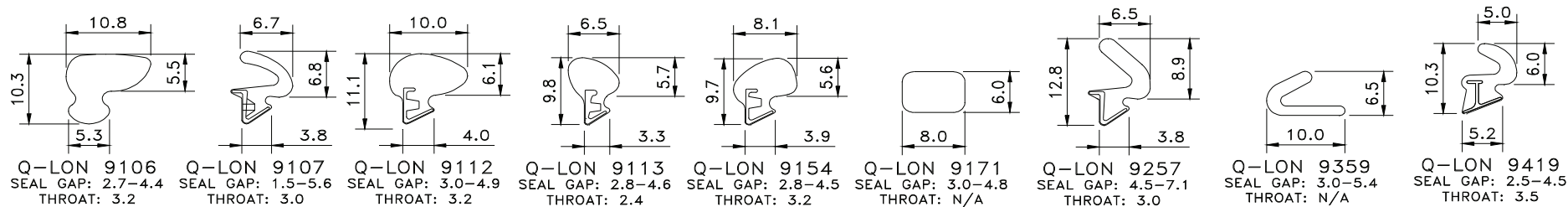
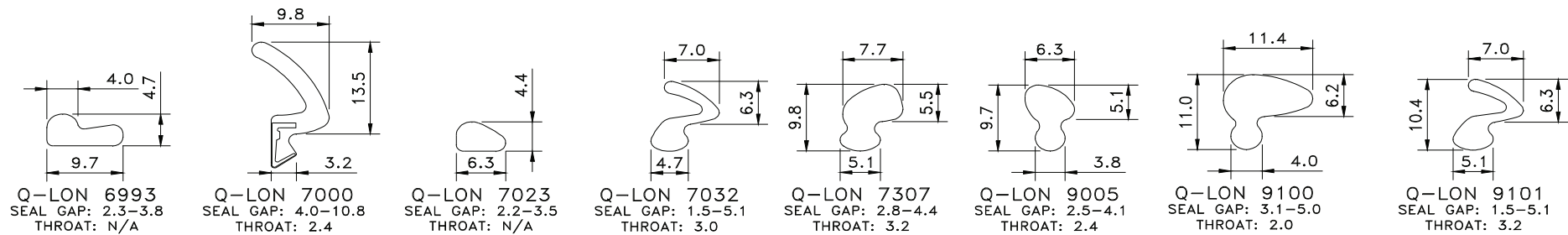
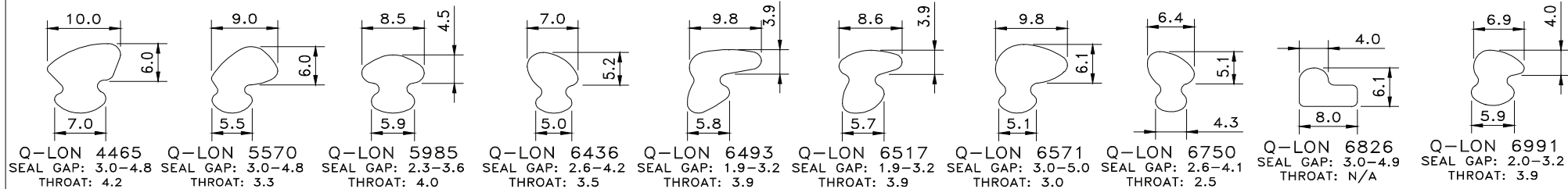


Q-LON 69950  
SEAL GAP: 3.9-6.3  
POCKET 'C'

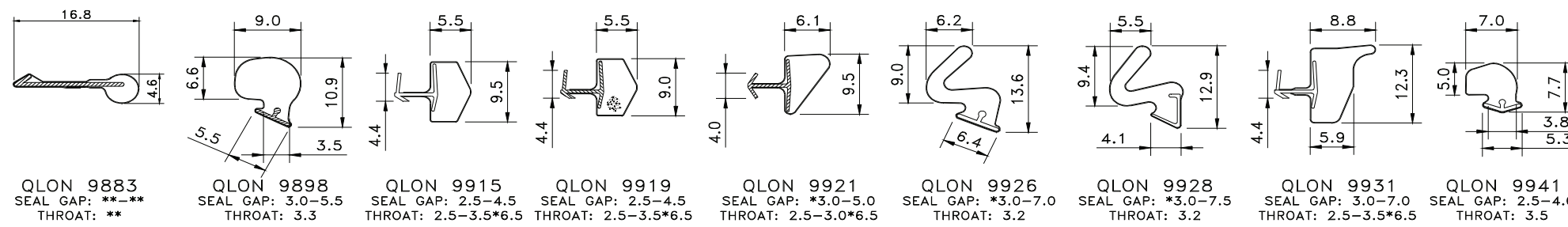
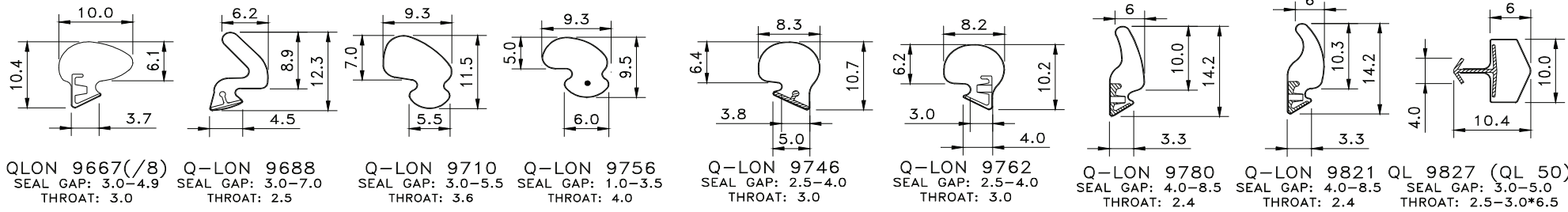


POCKET 'C'

Q-LON T-SLOT

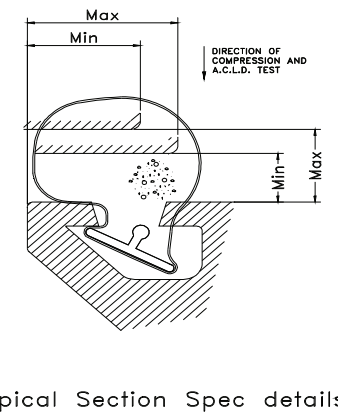
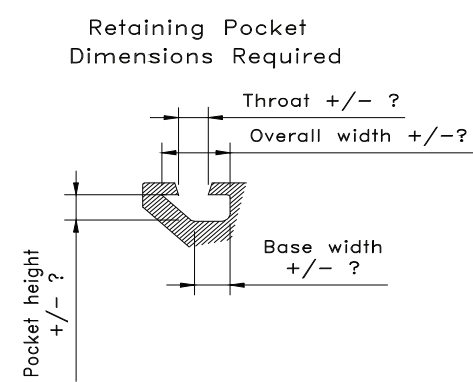
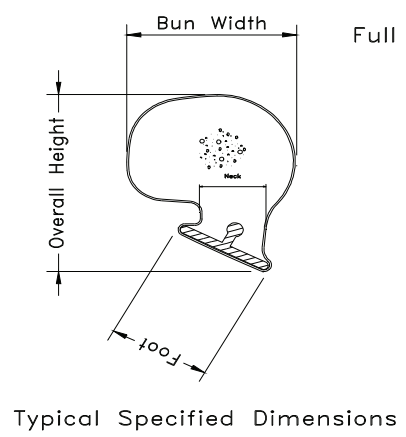


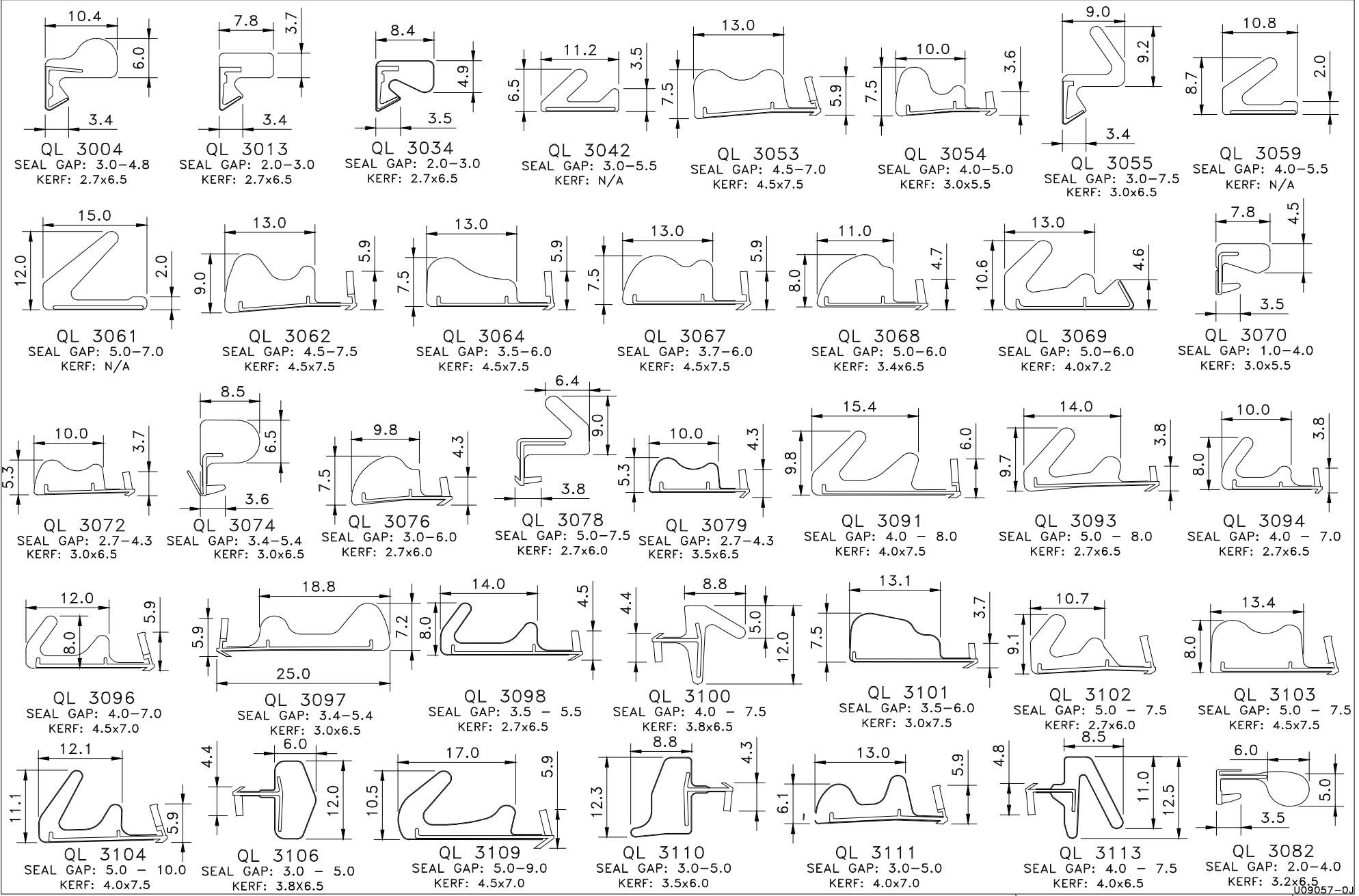
Q-LON 1



**Notes:-**

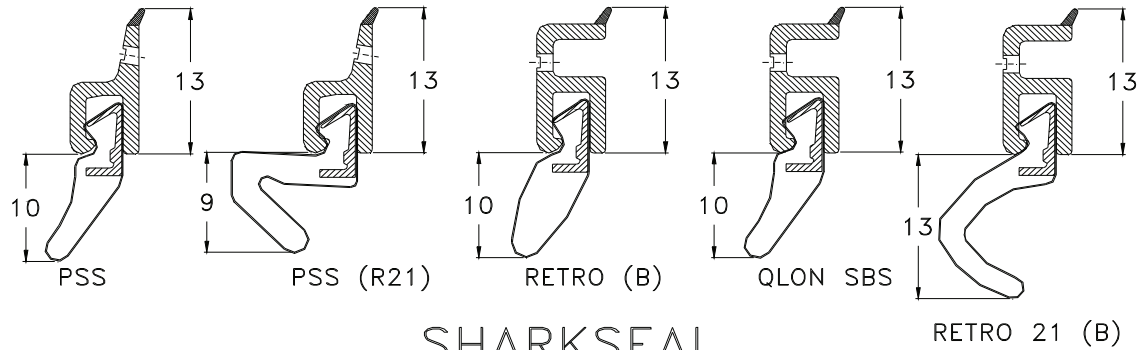
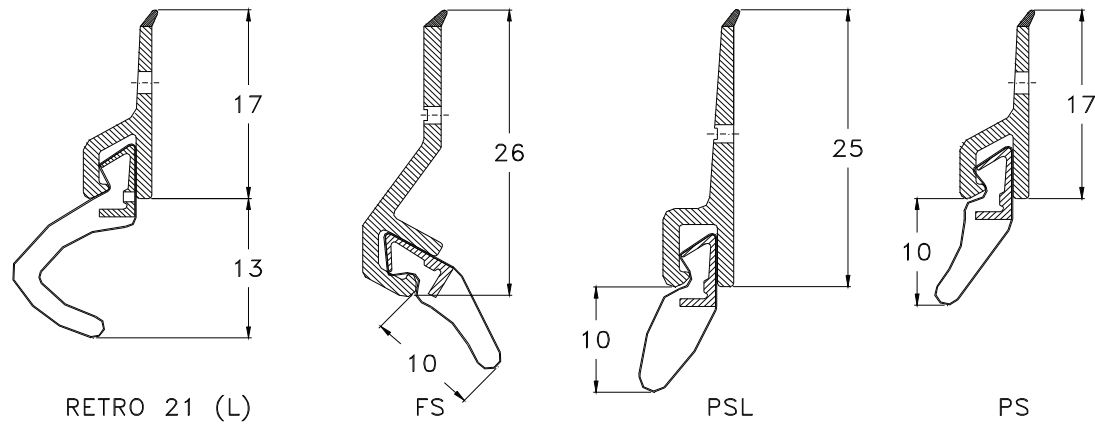
All Dimensions are nominal and subject to change without notification  
 All seal gap recommendations are application specific  
 Full system / section assessment recommended prior to order



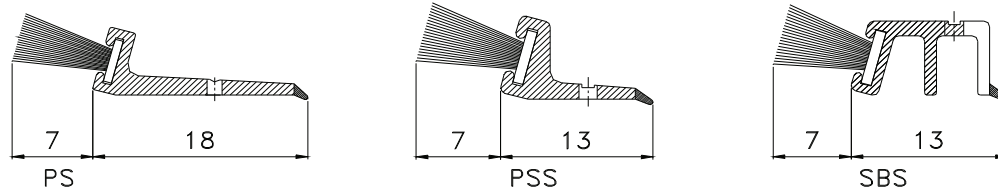


QL EUROPEAN

## QLON



## SHARKSEAL



NOTE \* MEASUREMENTS ARE NOMINAL AND IN MILLIMETRES

Schlegel 'Retro seal' Range available from GTI Insulations only - <http://www.gtinsulations.co.uk/>